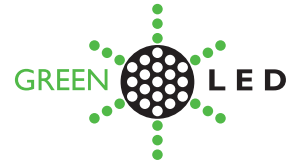


KEID

8W LED Recessed Down Lighter

GLF31



An LED alternative to a conventional 50W halogen lamp with the added advantage of being a complete lamp and tilting fitting unit.

Requires a 75mm hole, so can be used to replace existing fittings when upgrading to LED .

Cost of Light Comparison	
Greenled	Conventional
C	K

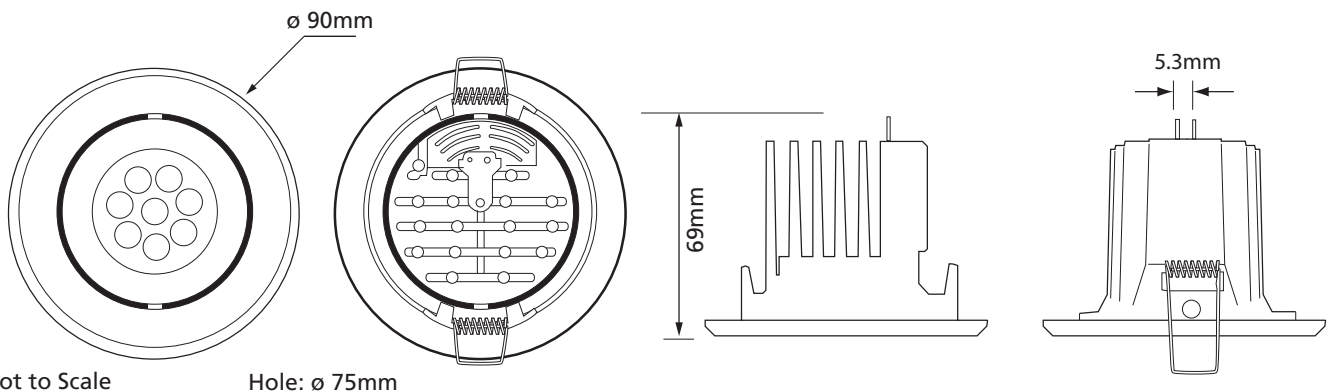
Guarantee : 2 years

Non-Dimmable

CE	RoHS	12V AC/DC	8W	50,000 hrs
----	------	-----------	----	------------

Specifications	Specification subject to change without notice
Product Code	GLF31W8W40
Colour	Warm White
Power Consumption	Total system wattage <8W
Operational Voltage	12V AC/DC
Colour Temperature	3,000 K
Intensity of Light Output	280 Lm
Rendering Index	70
Lumens per watt	35 Lm/W
No. of LEDs	8
Expected Life	50,000 Hrs
Beam Angle	40°
Complexity of install	3
IES files available	No

Dimensions



Cost of Light is cost to buy, install, replace and run this light per year.
A: £1-10 B: £11-20 C: £21-30 and so on to Z: £250-260

Complexity of install: 1. User install - no Electrician req'd. 2. Some wiring - Electrician req'd. 3. Some wiring and installation work Electrician req'd. 4. Additional wiring - Electrician req'd. 5. Fitting modification work - Electrician req'd.

Guarantee will ONLY apply where recommended drivers are used and fitting and installation is carried out by a properly qualified Electrician.

