

KUMA

10W AR111 LED LAMP

GLF32



An LED alternative to the popular AR111 lamp unit.
 Single 10W light source with 24° lens.
 12V AC/DC supply.
 No UV.
 No heat in the beam.
 Mercury free.

Cost of Light Comparison	
Greenled	Conventional
E	U

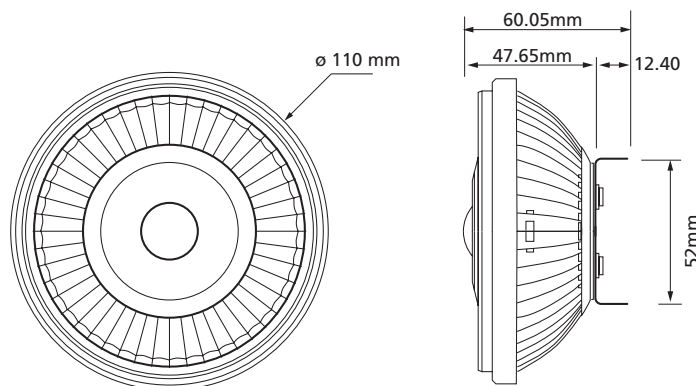
Guarantee : 2 years

Non-Dimmable

CE	RoHS	12V AC/DC	13W	20,000 hrs
----	------	-----------	-----	------------

Specifications	Specification subject to change without notice
Product Code	GLF32W10W24
Colour	Warm White
Power Consumption	Total system wattage 13W
Operational Voltage	12V AC/DC
Colour Temperature	2,700 K
Intensity of Light Output	2400 Lux @ 1m
Rendering Index	> 40
Lumens per watt	TBA
No. of LEDs	24
Expected Life	20,000 Hrs
Beam Angle	24°
Complexity of install	2
IES files available	No
Driver required	Recommended

Dimensions



Not to Scale

Cost of Light is cost to buy, install, replace and run this light per year.
 A: £1-10 B: £11-20 C: £21-30 and so on to Z: £250-260

Complexity of install: 1. User install - no Electrician req'd. 2. Some wiring - Electrician req'd. 3. Some wiring and installation work Electrician req'd. 4. Additional wiring - Electrician req'd. 5. Fitting modification work - Electrician req'd.

Guarantee will ONLY apply where recommended drivers are used and fitting and installation is carried out by a properly qualified Electrician.

