

# ALRAI

## 10W AR111 LED LAMP

### GLF33



An LED alternative to the popular AR111 lamp unit.  
Six high efficiency LEDs with 40 degree lenses. 12V AC/DC supply.  
No UV.  
No heat in the beam.  
Mercury free.

Cost of Light Comparison	
Greenled E	Conventional U

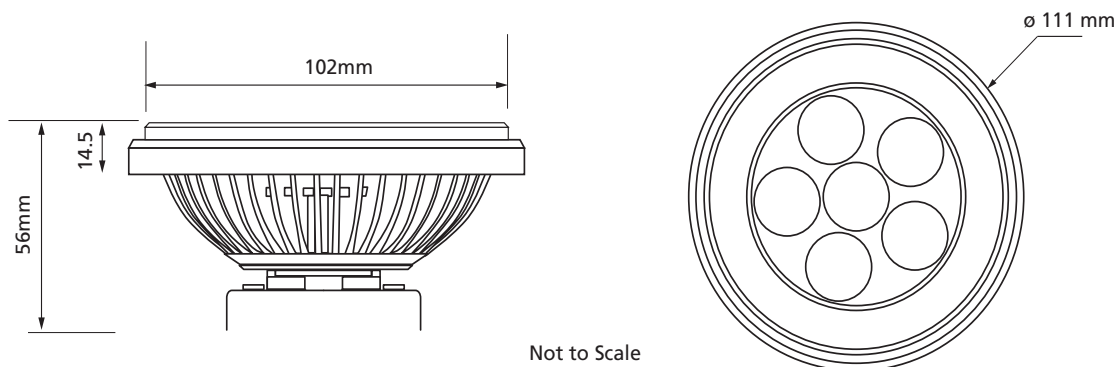
Guarantee : 2 years

Non-Dimmable

CE	RoHS	12V AC/DC	13W	25,000 hrs
----	------	--------------	-----	---------------

Specifications	Specification subject to change without notice
Product Code	GLF33W10W40
Colour	Warm White
Power Consumption	Total system wattage 13W
Operational Voltage	12V AC/DC
Colour Temperature	3,000 K
Intensity of Light Output	1400 Lux @ 1m
Rendering Index	75
Lumens per watt	TBA
No. of LEDs	6
Expected Life	25,000 Hrs
Beam Angle	40°
Complexity of install	2
IES files available	No
Driver required	Recommended

### Dimensions



**Cost of Light** is cost to buy, install, replace and run this light per year.  
A: £1-10 B: £11-20 C: £21-30 and so on to Z: £250-260

**Complexity of install:** 1. User install - no Electrician req'd. 2. Some wiring - Electrician req'd. 3. Some wiring and installation work Electrician req'd. 4. Additional wiring - Electrician req'd. 5. Fitting modification work - Electrician req'd.

**Guarantee will ONLY apply** where recommended drivers are used and fitting and installation is carried out by a properly qualified Electrician.

