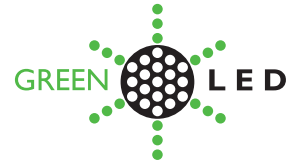


SAIPH

3W Fully Recessed with separate Battery Pack

GLL25EW



Unobtrusive 3W 3 Hr Non Maintained LED
Emergency Lighting.

Articulated battery pack allows for ceiling
installation through 42mm diameter hole cut
for light fitting.

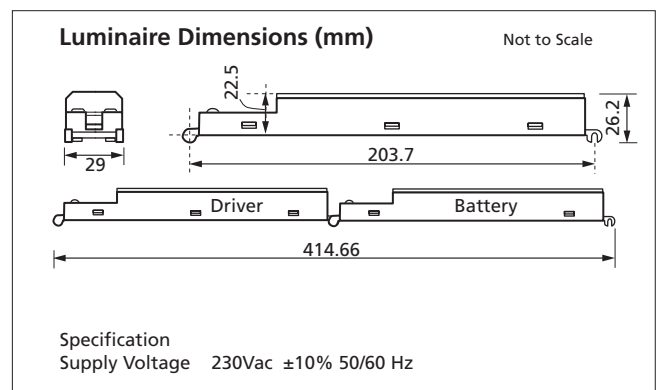
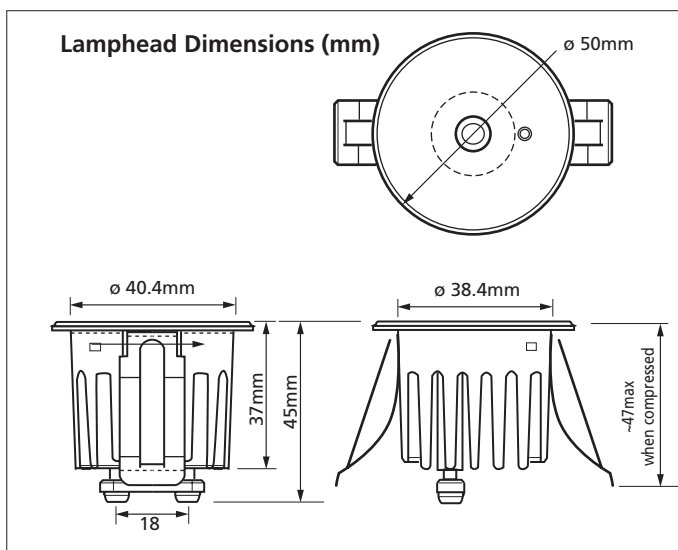
Tested to conform to:
IEC 60068-2-6 FC and 60068-2-64 test
FV applications.
BS EN60598-2-22

Guarantee : 3 years

Non-Dimmable



| Specifications | |
|---------------------------|------------------|
| Product Code | GLL25EW |
| Colour | Cool white |
| Power Consumption | 3W |
| Operational Voltage | 230V AC 50-60 Hz |
| Main Current | 34mA |
| Colour Temperature | 5800 K |
| Intensity of Light Output | 64 Lm |
| Charge Time | 16 Hrs |
| No. of LEDs | 1 x 3W |
| Duration | 3 hrs |
| Weight | 325g in total |



Greenled is BS 8555 Certified