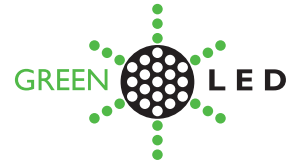


CHARA

4W & 8W MR16 LED Lamp

GLL33



An ideal lamp for both general and accent lighting. An even warm white soft edge light from a 40° beam. Good projection of light particularly from the higher powered 8W version. A silent miniature fan ensures effective thermal management on the 8W version, allowing the size to match conventional halogen lamps.

Cost of Light Comparison	
Greenled B B	Conventional H J

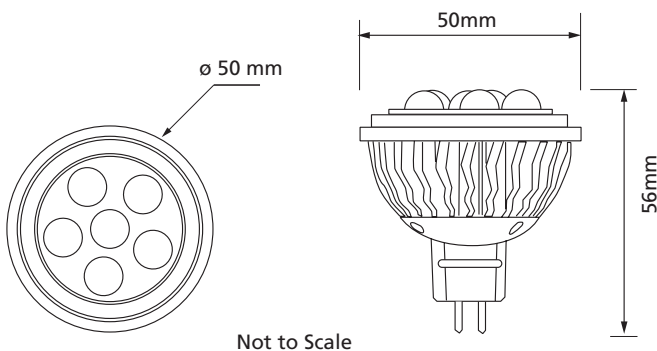
Guarantee : 2 years

Non-Dimmable

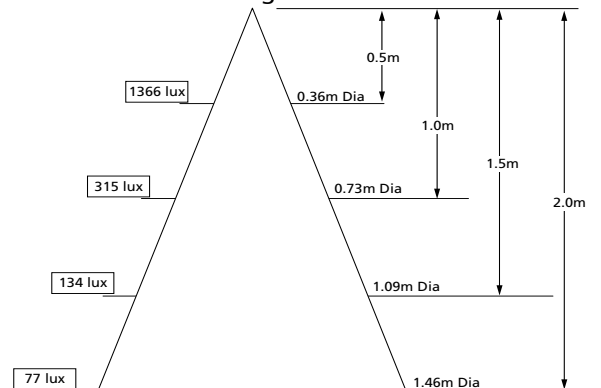
CE	RoHS	12V AC/DC	4W 8W	50,000 hrs
----	------	--------------	----------	---------------

Specifications	Specification subject to change without notice	
Product Code	GLL33MR16W4W40	GLL33MR16W8W40
Colour	Warm White	Warm White
Power Consumption	4W	8W
Operational Voltage	12V AC/DC	12V AC/DC
Colour Temperature	3,000 K	3,000 K
Intensity of Light Output	190 Lm	280 Lm
Rendering Index	70 Ra	70 Ra
Lumens per watt	47.5 Lm/W	35 Lm/W
No. of LEDs	6	8
Expected Life	50,000 Hrs	50,000 Hrs
Beam Angle	40°	40°
Complexity of install	2	2
IES files available	No	Yes
Driver required	Recommended	Recommended

Dimensions



Chara MR16 WW 4W
Beam Angle 40°



Cost of Light is cost to buy, install, replace and run this light per year.
A: £1-10 B: £11-20 C: £21-30 and so on to Z: £250-260

Complexity of install: 1. User install - no Electrician req'd. 2. Some wiring - Electrician req'd. 3. Some wiring and installation work Electrician req'd. 4. Additional wiring - Electrician req'd. 5. Fitting modification work - Electrician req'd.

Guarantee will ONLY apply where recommended drivers are used and fitting and installation is carried out by a properly qualified Electrician.

