

HAEDI

3W MR16 LED LAMP

GLL34



An ideal lamp for both general and accent lighting. An even warm white soft edge light from a 40° beam.

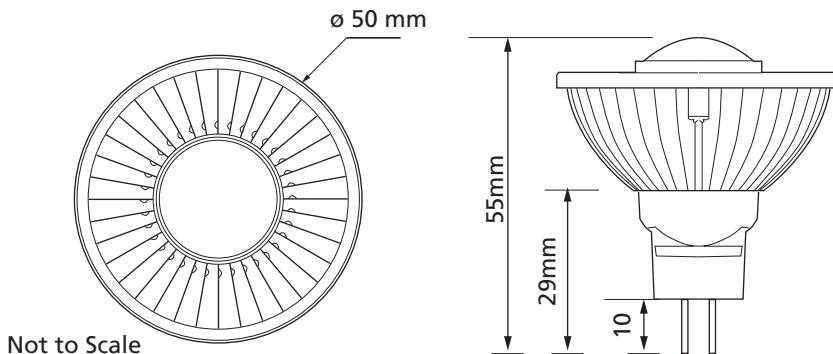
Guarantee : 2 years

Non-Dimmable



Specifications	Specification subject to change without notice
Product Code	GLL34MR16W3W40
Colour	Warm White
Power Consumption	Total incl. Driver <5W
Operational Voltage	12V AC/DC
Colour Temperature	3,000 K
Intensity of Light Output	200 Lm
Rendering Index	52
Lumens per watt	43 Lm/W
No. of LEDs	1
Expected Life	35,000 Hrs
Beam Angle	40°
Complexity of install	2
IES files available	No
Driver required	Recommended

Dimensions



Cost of Light is cost to buy, install, replace and run this light per year.
 A: £1-10 B: £11-20 C: £21-30 and so on to Z: £250-260

Complexity of install: 1. User install - no Electrician req'd. 2. Some wiring - Electrician req'd. 3. Some wiring and installation work - Electrician req'd. 4. Additional wiring - Electrician req'd. 5. Fitting modification work - Electrician req'd.

Guarantee will ONLY apply where recommended drivers are used and fitting and installation is carried out by a properly qualified Electrician.

