

CEBAL

18W E27 LED Spot Lamp

GLL37



An 18W PAR 30 lamp. Even warm white illumination from a soft edge 40° beam.
More available light than a 100W tungsten spot light.

Cost of Light Comparison	
Greenled E	Conventional R

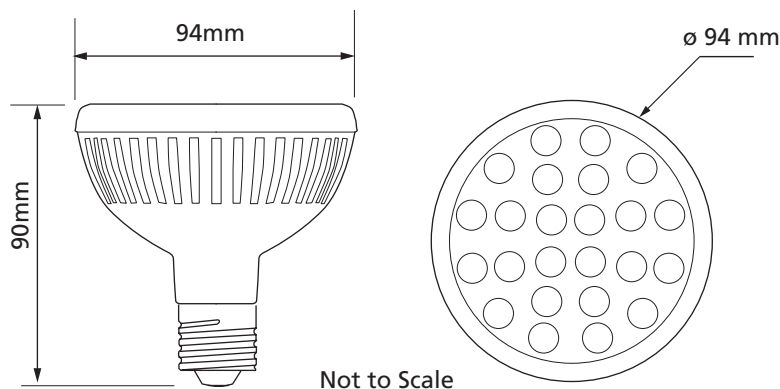
Guarantee : 2 years

Non-Dimmable

CE	RoHS	90-240V AC	18W	50,000 hrs
----	------	---------------	-----	---------------

Specifications	Specification subject to change without notice
Product Code	GLL37E27W20W40
Colour	Warm White
Power Consumption	18W
Operational Voltage	90-264V AC
Colour Temperature	3,000 K
Intensity of Light Output	840 Lm
Rendering Index	70
Lumens per watt	46 lm/W
No. of LEDs	24
Expected Life	50,000 Hrs
Beam Angle	40°
Complexity of install	1
IES files available	Yes
Driver required	No

Dimensions



Cost of Light is cost to buy, install, replace and run this light per year.
A: £1-10 B: £11-20 C: £21-30 and so on to Z: £250-260

Complexity of install: 1. User install - no Electrician req'd. 2. Some wiring - Electrician req'd. 3. Some wiring and installation work Electrician req'd. 4. Additional wiring - Electrician req'd. 5. Fitting modification work - Electrician req'd.

Guarantee will ONLY apply where recommended drivers are used and fitting and installation is carried out by a properly qualified Electrician.

