

Avoir

10W E27 LED Spot Lamp

GLL38



An LED alternative to the PAR30 spot and flood lights used in down lighters and track lighting. Energy efficiency combined with extended life versus conventional lighting units. No heat or UV in the beam. Ideal for museums, art Galleries, retail applications.

Cost of Light Comparison	
Greenled D	Conventional R

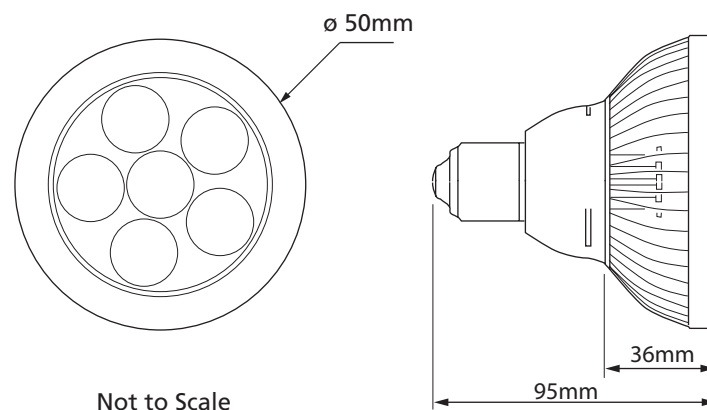
Guarantee : 2 years

Non-Dimmable

CE	RoHS	100-240V AC	10W	20,000 hrs
----	------	-------------	-----	------------

Specifications	Specification subject to change without notice
Product Code	GLL38E27W10W40
Colour	Warm White
Power Consumption	10W
Operational Voltage	100-240V AC
Colour Temperature	3,000 K
Intensity of Light Output	TBA
Rendering Index	75
Lumens per watt	TBA
No. of LEDs	6
Expected Life	20,000 Hrs
Beam Angle	40°
Complexity of install	1
IES files available	Yes
Driver required	No

Dimensions



Not to Scale

Cost of Light is cost to buy, install, replace and run this light per year.
A: £1-10 B: £11-20 C: £21-30 and so on to Z: £250-260

Complexity of install: 1. User install - no Electrician req'd. 2. Some wiring - Electrician req'd. 3. Some wiring and installation work Electrician req'd. 4. Additional wiring - Electrician req'd. 5. Fitting modification work - Electrician req'd.

Guarantee will ONLY apply where recommended drivers are used and fitting and installation is carried out by a properly qualified Electrician.

