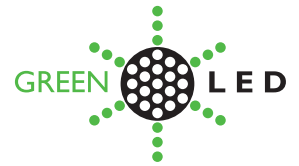


# ALSAF

## PAR 38 LED Spot Light

### GLL40



An LED alternative to the PAR30 spot and flood lights used in down lighters and track lighting. Energy efficiency combined with extended life. No heat or UV in the beam. Ideal for museums, art galleries and retail applications.

Cost of Light Comparison	
Greenled	Conventional
E E	R R

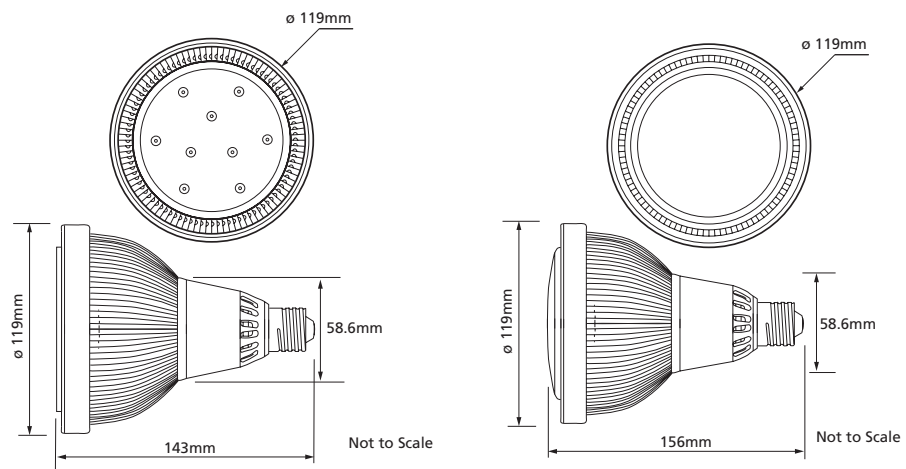
Guarantee : 2 years

Non-Dimmable

CE	RoHS	90-264V AC	12 & 16W	35,000 hrs
----	------	------------	----------	------------

Specifications	Specification subject to change without notice	
Product Code	GLL40E27W16W25	GLL40E27W12W130
Colour	Warm White	Warm White
Power Consumption	<16W	<12W
Operational Voltage	90-264V AC	90-264V AC
Colour Temperature	3,000 K	3,000 K
Intensity of Light Output	540 Lm	450 Lm
Rendering Index	TBA	TBA
Lumens per watt	>34 Lm/W	>38 Lm/W
No. of LEDs	9	84
Expected Life	35,000 Hrs	35,000 Hrs
Beam Angle	25°	130°
Complexity of install	1	1
IES files available	No	No
Driver required	No	No

### Dimensions



**Cost of Light** is cost to buy, install, replace and run this light per year.  
A: £1-10 B: £11-20 C: £21-30 and so on to Z: £250-260

**Complexity of install:** 1. User install - no Electrician req'd. 2. Some wiring - Electrician req'd. 3. Some wiring and installation work Electrician req'd. 4. Additional wiring - Electrician req'd. 5. Fitting modification work - Electrician req'd.

**Guarantee will ONLY apply** where recommended drivers are used and fitting and installation is carried out by a properly qualified Electrician.

