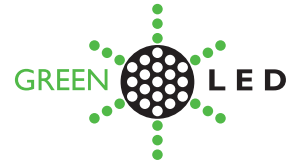


# HEZE

## 15W E27 LED PAR38 IP65 Spot Lamp

### GLL41



An IP65 15W PAR38 spot light.  
40° beam gives a strong light with good projection.  
Ideal for building, signage, tree or shrub illumination.

Cost of Light Comparison	
Greenled E	Conventional U

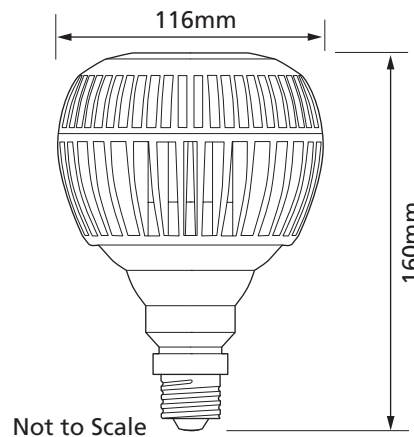
Guarantee : 2 years

Non-Dimmable

CE	RoHS	90-240V AC	15W	50,000 hrs
----	------	------------	-----	------------

Specifications	Specification subject to change without notice
Product Code	GLL41E27W15W40
Colour	Warm White
Power Consumption	18W
Operational Voltage	90-240V AC
Colour Temperature	3,000 K
Intensity of Light Output	860 Lm
Rendering Index	70
Lumens per watt	57 Lm/W
No. of LEDs	24
Expected Life	50,000 Hrs
Beam Angle	40°
Complexity of install	1
IES files available	No
Driver required	No

### Dimensions



**Cost of Light** is cost to buy, install, replace and run this light per year.  
A: £1-10 B: £11-20 C: £21-30 and so on to Z: £250-260

**Complexity of install:** 1. User install - no Electrician req'd. 2. Some wiring - Electrician req'd. 3. Some wiring and installation work - Electrician req'd. 4. Additional wiring - Electrician req'd. 5. Fitting modification work - Electrician req'd.

**Guarantee will ONLY apply** where recommended drivers are used and fitting and installation is carried out by a properly qualified Electrician.

