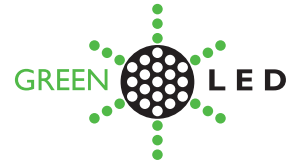


RANA

3W Virtual Filament LED Candle Lamp

GLL43



A unique LED candle lamp with a 'Virtual Filament' This gives the effect of the filament that is in a conventional tungsten type lamp. Very effective in wall or ceiling fittings giving a traditional appearance with all the benefits of LED lighting of energy saving and longevity.

Cost of Light Comparison	
Greenled B	Conventional F

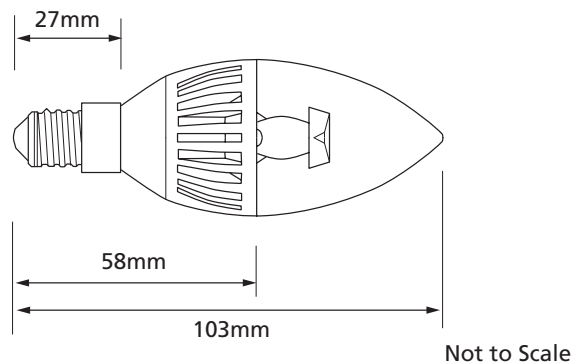
Guarantee : 2 years

Non-Dimmable

CE	RoHS	100-240V AC	3W	35,000 hrs
----	------	-------------	----	------------

Specifications	Specification subject to change without notice
Product Code	GLL43E14W3W
Colour	Warm White
Power Consumption	3W
Operational Voltage	100 - 240V AC
Colour Temperature	3,050 K
Intensity of Light Output	70 Lm
Rendering Index	TBA
Lumens per watt	23 Lm/W
No. of LEDs	1
Expected Life	35,000 Hrs
Beam Angle	360° Virtual Filament
Complexity of install	1
IES files available	No
Driver required	No

Dimensions



Cost of Light is cost to buy, install, replace and run this light per year.
A: £1-10 B: £11-20 C: £21-30 and so on to Z: £250-260

Complexity of install: 1. User install - no Electrician req'd. 2. Some wiring - Electrician req'd. 3. Some wiring and installation work Electrician req'd. 4. Additional wiring - Electrician req'd. 5. Fitting modification work - Electrician req'd.

Guarantee will ONLY apply where recommended drivers are used and fitting and installation is carried out by a properly qualified Electrician.

