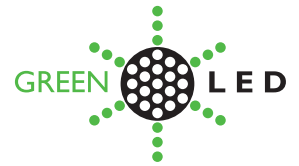


ZETA II

4W GU10 LED Downlighter 40°

GLL7



Suitable as a downlighter and spotlight or for task lighting. Mains operated.

Powerful spot light, ideal for display and sign lighting, up lighters, down lighters. Single chip with a focussed 40° beam angle.

This gives 430 Lux @1m and 110 Lux @ 2m

Cost of Light Comparison	
Greenled B	Conventional H

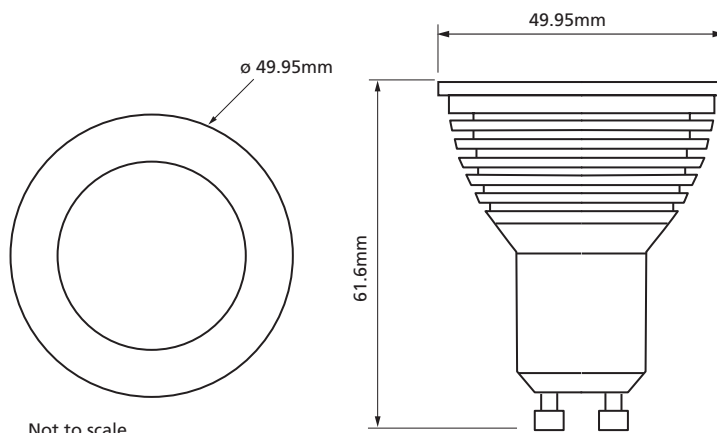
Guarantee : 2 years

Non-Dimmable

CE	RoHS	240V AC	4W	50,000 hrs
----	------	------------	----	---------------

Specifications	Specification subject to change without notice
Product Code	GLL7-2GU10W4W40
Colour	Warm White
Power Consumption	4W
Operational Voltage	240 V AC
Colour Temperature	3,000 K
Intensity of Light Output	150 Lm
Rendering Index	> 70 Ra
Lumens per watt	37.5 Lm/W
No. of LEDs	1
Expected Life	50,000 Hrs
Beam Angle	40°
Complexity of install	1
IES files available	No
Driver required	No

Dimensions



Cost of Light is cost to buy, install, replace and run this light per year.
A: £1-10 B: £11-20 C: £21-30 and so on to Z: £250-260

Complexity of install: 1. User install - no Electrician req'd. 2. Some wiring - Electrician req'd. 3. Some wiring and installation work Electrician req'd. 4. Additional wiring - Electrician req'd. 5. Fitting modification work - Electrician req'd.

Guarantee will ONLY apply where recommended drivers are used and fitting and installation is carried out by a properly qualified Electrician.

